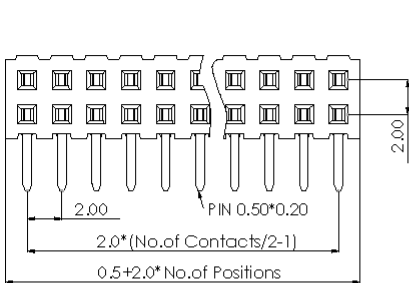
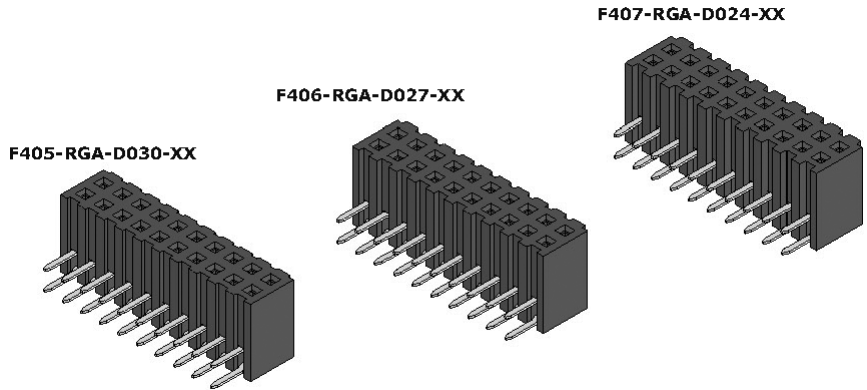


## Female Header 2.0 mm

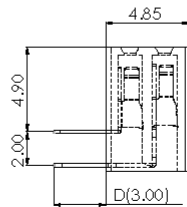
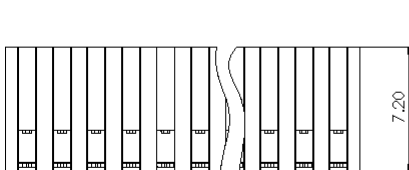
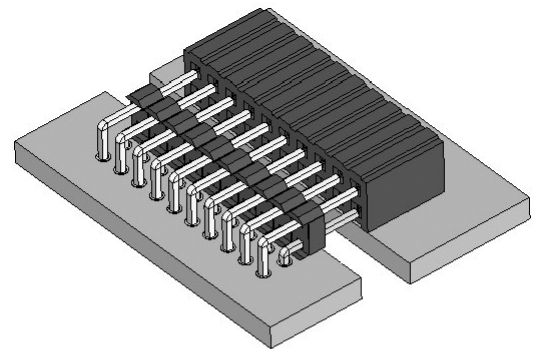
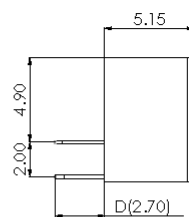
90° Series

### SPECIFICATIONS

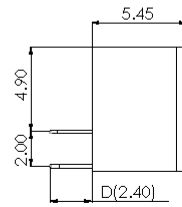
Current Rating: 2 A  
 Insulator Resistance: 3000 MOhm min.  
 Contact Resistance: 20 mOhm max.  
 Dielectric Withstanding: AC 500 V  
 Operating Temperature: -40°C ~ +105°C  
 Soldering Temperature: 260°C for 3~5 sec. max  
 Contact Material: Phosphor Bronze  
 Insulator Material: Polyester, UL 94V-0  
 Standard: PA-46  
 Finish: Tin, Gold or Duplex Plated  
 Standard: Gold Flash all over  
 Note: Duplex Plating: Gold Plated on contact area, Tin on solder area



[F406]

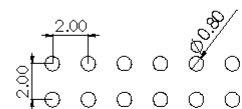


[F405]



[F407]

### Recommended P.C.Board Hole Layout



### How to order

Unit: mm

Series	Connector Type	Contact Plating	Material	Pin Length mm	Number of Contacts
<b>FXXX</b>	<b>X</b>	<b>X</b>	<b>X</b>	<b>DXXX</b>	<b>XX</b>
F405:F/H 2.00 H:7.20 Dual Row F406:F/H 2.00 H:7.20 Dual Row F407:F/H 2.00 H:7.20 Dual Row	R:Right Angle	G:Gold Flash T:Tin Plated A:10U"Gold B:15U"Gold C:20U"Gold ⊙Duplex Plating D:Gold Flash/Tin (Standard:G)	A:PA-46 N:Nylon-6T (Standard:A)	R-D D024 D027 D030	(04 TO 80Contacts)